

APF 1850

FORWARD MOVING VIBRATORY PLATE



SIZE AND TRANSPORTABILITY

The APF 1850 is considered the “all-around” forward-moving plate. It has size with the option of a powerful Honda or Hatz engine to enable quality performances on soil, gravel, pavers, asphalt and other surfaces. The continuously adjustable vibration also helps with compaction on varied surfaces. The guide handle can be folded, making for easy transport.

EFFECTIVE COMPACTION TOOL

- Powerful petrol or diesel engine.
- Engine power transmitted to the exciter system through a centrifugal clutch and V belt.
- Optional water sprinkler system for work on bituminous surfaces.

LIMITED MAINTENANCE

- Well-protected, robust centrifugal clutch with wear-resistant V belt.
- Service-friendly exciter unit with long lifetime.
- Wear-resistant, self-cleaning base plate.

READY TO RENT

- Low-cost upkeep.
- Good match for many applications.
- Easy for new users to operate.

INNOVATIVE HANDLE

- Vibration-isolated to reduce stress on the operator
- Foldable and removable, crucial attributes when working in confined areas or during transport.

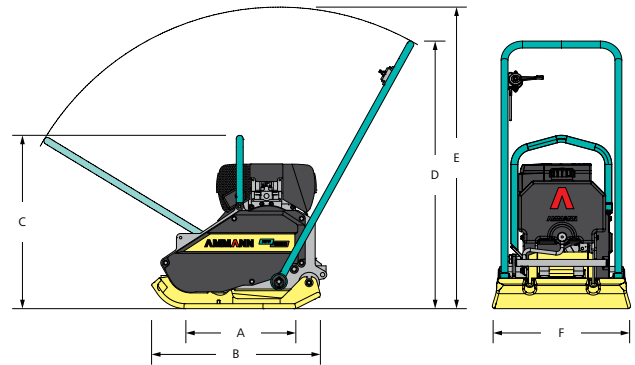
APPLICATIONS

- Compaction in confined areas
- Earthwork
- Asphalt and paving applications
- Light to medium patchwork
- Pipeline and trench construction
- Landscaping and gardening

TECHNICAL SPECIFICATIONS
APF 1850 FORWARD MOVING VIBRATORY PLATE

WEIGHT & DIMENSIONS

	PETROL	DIESEL
MACHINE WEIGHT	95 kg (209 lb)	110 kg (242 lb)
A BASE PLATE LENGTH	398 mm (15,7 in)	398 mm (15,7 in)
B MACHINE LENGTH	615 mm (24,2 in)	615 mm (24,2 in)
C MACHINE HEIGHT	623 mm (24,5 in)	623 mm (24,5 in)
D WITH HANDLE (WORK)	1000 mm (39,4 in)	1000 mm (39,4 in)
E WITH HANDLE (TRANSPORT)	1100 mm (43,3 in)	1100 mm (43,3 in)
F MACHINE WIDTH	500 mm (19,7 in)	500 mm (19,7 in)



ENGINE

ENGINE	Honda GX 160	Hatz 1 B 20
FUEL	Petrol	Diesel
ENGINE OUTPUT	5 HP (3,7 kW)	4,2 HP (3,1 kW)
AT RPM	3200	3000

COMPACTION FORCES

MAX. VIBRATION FREQUENCY	85 Hz (5100 vpm)	85 Hz (5100 vpm)
MAX. CENTRIFUGAL FORCE	18 kN (4 lbf)	18 kN (4 lbf)
WORKING SURFACE	0,2 m ² (2,15 ft ²)	0,2 m ² (2,15 ft ²)
MAX. COMPACTION DEPTH (DEPENDING ON GROUND CONDITIONS)	20 cm (7,9 in)	25 cm (9,8 in)

MISCELLANEOUS

SPEED	20 m/min (12 mph)	20 m/min (12 mph)
GRADEABILITY	30 %	30 %
MAX. INCLINE TO ALL SIDES	20 °	20 °



STANDARD

- Standard vibration isolated guide handle
- Sturdy protection frame with central lifting point
- Powerful and reliable petrol or diesel engine
- Service friendly exciter unit with expanded life expectancy
- Well protected, sturdy centrifugal clutch and V-Belt

OPTIONAL EQUIPMENT

- Permanently installed transport wheels
- Vulcolan mat for application on paving stones
- Corrosion free water tank and sprinkler system for application on bituminous surfaces
- Ammann Low-Vibration Handle for operator confort and limited vibration on machine operator
- 3 year extended Warranty Program